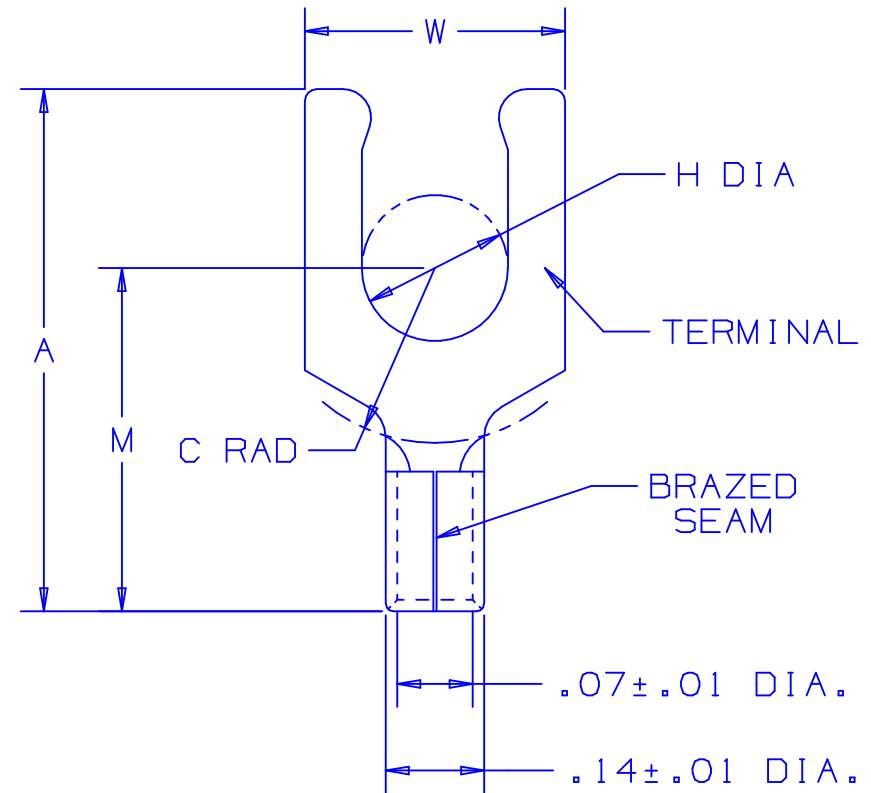


PANDUIT PART NUMBER	STUD SIZE	DIMENSIONS in.				
		A ±.020	W ±.010	C ±.020	M ±.020	H ±.010
P18-6LF	#6	.68 (17,3)	.27 (6,9)	.22 (5,6)	.48 (12,2)	.15 (3,8)
P18-6LFW	#6	.70 (17,8)	.29 (7,4)	.22 (5,6)	.48 (12,2)	.15 (3,8)
P18-8LF	#8	.74 (18,8)	.29 (7,4)	.23 (5,8)	.53 (13,5)	.16 (4,1)
P18-10LF	#10	.74 (18,8)	.33 (8,4)	.23 (5,8)	.53 (13,5)	.19 (4,8)
P18-10LFN **	#10	.74 (18,8)	.28 (7,1)	.23 (5,8)	.53 (13,5)	.19 (4,8)



NOTES :

- UL LISTED AND CSA CERTIFIED FOR:
  - #22-16 AWG SOLID OR STRANDED, COPPER WIRE
- 302° F (150° C) MAX. USE TEMP.
- PACKAGE QTY.: STD C=100  
BULK M=1000
- MATERIAL:
  - STAMPING - .032 (,81) THK COPPER, TIN PLATED
- WIRE STRIP LENGTH  $9/32 + \frac{1}{32} (7,1 + \frac{8}{-0})$
- DIMENSIONS IN BRACKETS ARE IN MILLIMETERS
- INSTALLATION TOOLS:
  - UL AND CSA APPROVED: CT-100, CT-200, CT-1570 \*
  - PANDUIT APPROVED: CT-160, CT-260

\*\* P18-10LFN IS NOT UL LISTED OR CSA CERTIFIED

\* APPROVED FOR EXPANDED WIRE RANGE #22-16 AWG



LISTED  
587H  
E52164



CERTIFIED  
LR31212

A41059\_07

07	2/01	EJS		FILE SPEC WAS N41059AA_PCD_06, REMOVED CT-570 FROM NOTE 7				<p>PANDUIT CORP. TINLEY PARK, ILLINOIS</p> <p>#22-18 BARREL NON-INSULATED LOCKING FORK</p>
06	1/96	ED	RLS	REV'S TO NOTES & DIM'S, ORIG FILE SPEC WAS NPC-A41059-05	03801	LA	DBH	
05	3/91	DL		TANG WIDTH INCREASED PART NO P18-6LF				
--	--	--	--	REDRAWN ON CAD WITH REVISIONS		--	--	
REV	DATE	BY	CHK	DESCRIPTION	ECN	CUST	PM	DRAWN BY DRL CHK'D LA SCALE NONE DRAWING NO. A41059